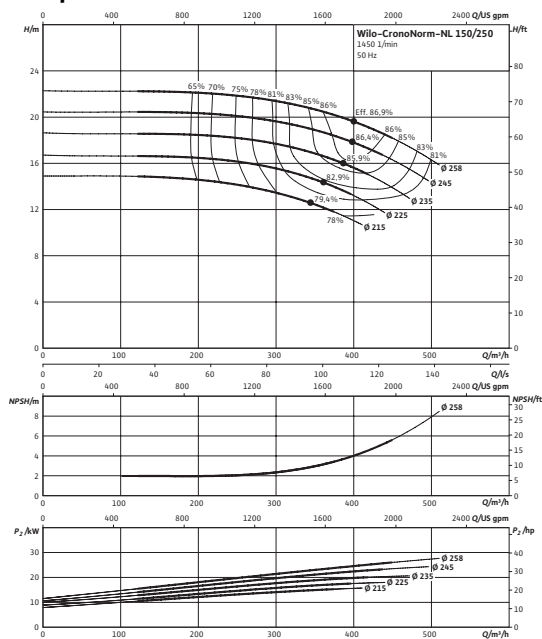


Data sheet: Wilo-CronoNorm-NL 150/250-30/4

Pump curves



APPLIES TO EUROPEAN DIRECTIVE FOR ENERGY RELATED PRODUCTS

Approved fluids (other fluids on request)

Heating water (in accordance with VDI 2035)	•
Water-glycol mixtures (for 20–40 vol.% glycol and fluid temperature ≤ 40 °C)	(from 10 vol.% glycol: Performance check required; up to 50% glycol: mechanical seal on request)
Cooling and cold water	•

Permitted field of application

Standard version for operating pressure	P_{rmax}	16 bar
Temperature range at max. ambient temperature +40 °C		-20...+120 °C (version with mechanical seal) -20...+105 °C (version with stuffing box packing)
Max. ambient temperature		+40 °C
Installation in closed buildings		•

Pipe connections

Flange nominal diameter (on the suction side)	DN 200
Flange nominal diameter (on the pressure side)	DN 150

Materials

Pump housing	EN-GJL-250
Lantern	EN-GJL-250
Impeller	EN-GJL-250
Pump shaft	X30Cr13
Mechanical seal	AQ1IEGG

Minimum Efficiency Index (MEI)

Minimum Efficiency Index (MEI)	≥ 0.4
--------------------------------	-------

Motor/electronics

Integrated full motor protection	Standard PTC thermistor sensor (KLF)	
Protection class	IP 55	
Insulation class	F	
Motor size	200L MG	
No. of poles	2	
Nominal motor power	P_2	30.0 kW
Rated current (approx.)	I_N	3~40 54.3 A
	0 V	

Data sheet: Wilo-CronoNorm-NL 150/250-30/4

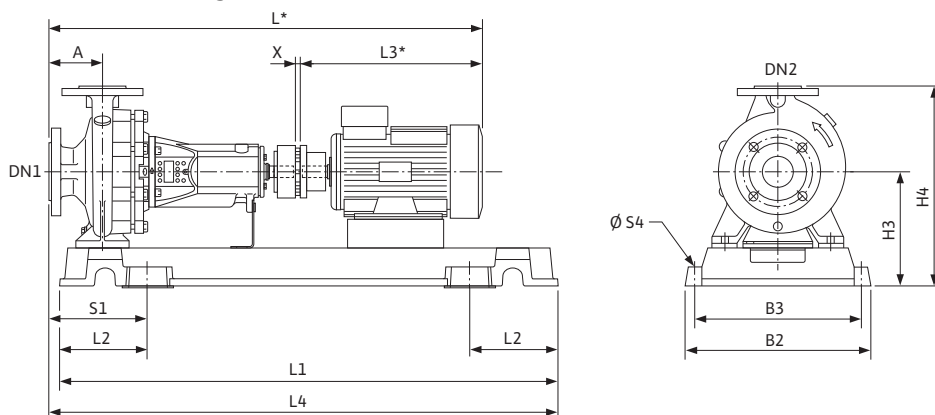
Power factor	$\cos \varphi$	0.86
Motor efficiency	η_m 100%	93.1 %
Motor efficiency	η_m 75%	93.0 %
Motor efficiency	η_m 50%	92.2 %

Information for order placements

Make	Wilo	
Art no.	4109442	
Type	CronoNorm-NL 150/250	
Weight approx.	m	545 kg

Dimensions and dimension drawings: Wilo-CronoNorm-NL 150/250-30/4

Dimension drawing

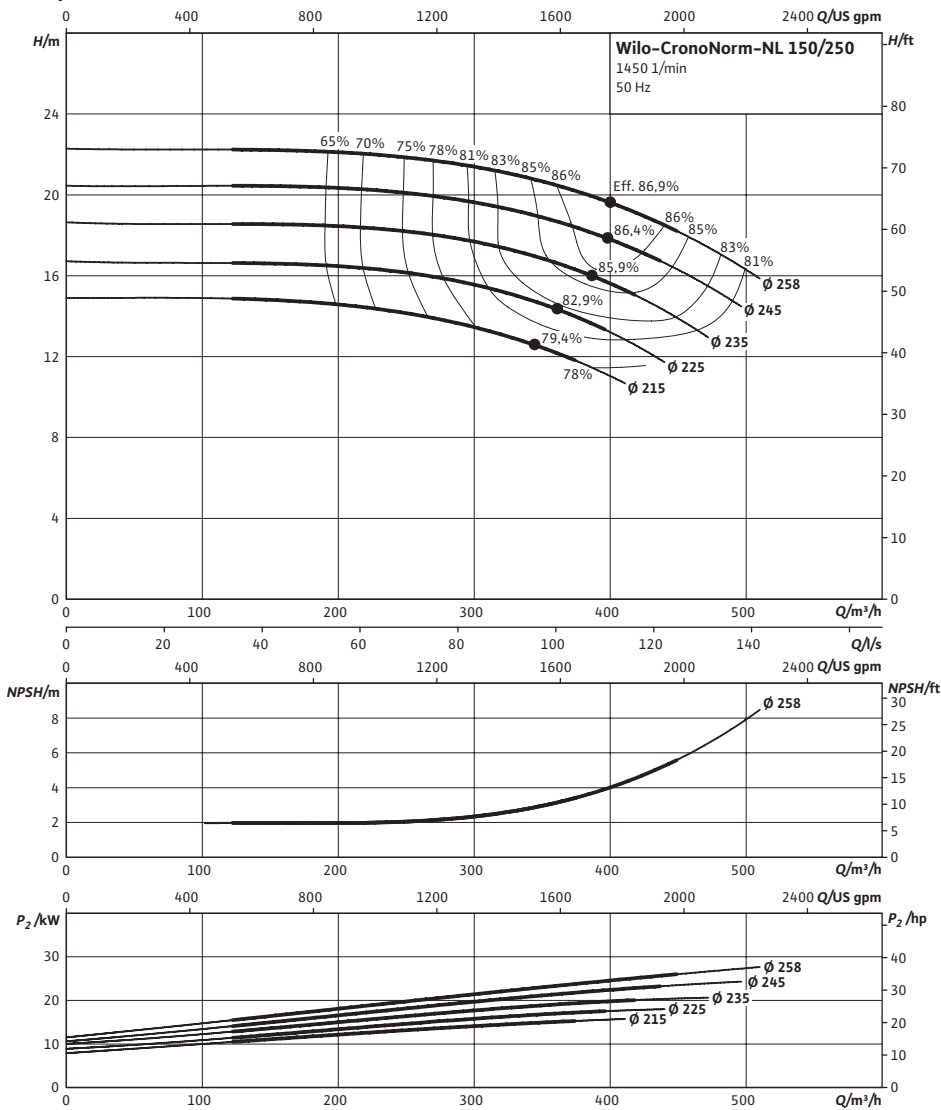


The length and width of the base block should be approximately 15 to 20 cm longer than the outer dimensions of the baseplate of the pump unit; dimension L*, L3 depends on motor version

Nominal diameter	D	200
	N	
	I	
Nominal diameter	D	150
	N	
	2	
Dimensions	A	160 mm
Dimensions	B2	660 mm
Dimensions	B3	600 mm
Dimensions	H	403 mm
	3	
Dimensions	H	803 mm
	4	
Dimensions	L	1298 mm
Dimensions	L1	1640 mm
Dimensions	L2	290 mm
Dimensions	L3	665 mm
Dimensions	L4	1670 mm
Dimensions	S1	320 mm
Dimensions	Ø	29 mm
	S4	
Dimensions	X	3 mm

Pump curves: Wilo-CronoNorm-NL 150/250-30/4

Pump curves



Specification texts: Wilo-CronoNorm-NL 150/250-30/4

Single-stage centrifugal pump as baseplate pump in accordance with EN 733, with axial suction ports and radial pressure ports for installation on a base. Pump with supporting foot and flanged bearing bracket, elastic coupling/spacer coupling (extra charge), coupling guard and motor mounted to same baseplate.

IEC motor with 3 PTC thermistor sensors. Shaft sealing via non-cooled mechanical shaft seal up to max. 120 °C. Grey cast iron housing, stainless steel shaft, grey cast iron impeller (bronze impeller available at extra charge).

Materials

Pump housing: EN-GJL-250

Lantern: EN-GJL-250

Impeller: EN-GJL-250

Pump shaft: X30Cr13

Mechanical seal: AQ1EGG

Permitted field of application

Standard version for operating pressure: 16 bar

Temperature range at max. ambient temperature +40 °C: -20...+120 °C (version with mechanical seal)

-20...+105 °C (version with stuffing box packing)

Max. ambient temperature: +40 °C

Installation in closed buildings: •

Pipe connections

Flange nominal diameter (on the suction side): DN 200

Flange nominal diameter (on the pressure side): DN 150

Minimum Efficiency Index (MEI)

Minimum Efficiency Index (MEI): ≥ 0.4

Motor/electronics

Integrated full motor protection: Standard PTC thermistor sensor (KLF)

Protection class: IP 55

Insulation class: F

Motor size: 200L MG

No. of poles: 2

Nominal motor power: 30.0 kW

Rated current (approx.): 54.3 A

Power factor: 0.86

Motor efficiency: 93.1 %

Motor efficiency: 93.0 %

Motor efficiency: 92.2 %

Weight

Weight approx.: 545 kg

Specification texts: Wilo-CronoNorm-NL 150/250-30/4

Information for order placements

Type: CronoNorm-NL 150/250

Art no.: 4109442

Make: Wilo